

TG I52

Dynamic Microphone



FEATURES

- Hypercardioid polar pattern
- Very high gain before feedback
- Small, rugged construction
- Flexible gooseneck

APPLICATIONS

The powerful sound of the dynamic clip microphone TG I52 is specially designed for brass instruments such as trumpets and trombones. It functions best with high sound levels and the hypercardioid polar pattern delivers extremely good channel separation and maximum feedback rejection. The practical rubberised clip-on mount also ensures a secure hold, protects the instrument and provides very good isolation from physical vibration. The flexible gooseneck allows it to be optimally positioned relative to the sound source.

VERSION

TG I52 Dynamic instrument microphone, hypercardioid, with clip Order # 707.147

TECHNICAL SPECIFICATIONS

Transducer type Dynamic
Operating principle Pressure gradient
Polar pattern Hypercardioid
Frequency response
Close miking 40 - 12.000 Hz
Distant miking (measured at 1 m) . . . 190 - 12.000 Hz
Attenuation at 110° (1 kHz) > 22 dB
Open circuit voltage 1.3 mV/Pa (-58 dBV) ±2.5 dB
Nominal impedance 200 Ω
Load impedance ≥ 1 kΩ
Connection XLR, 3-pin, male
Weight (without cable) 62 g

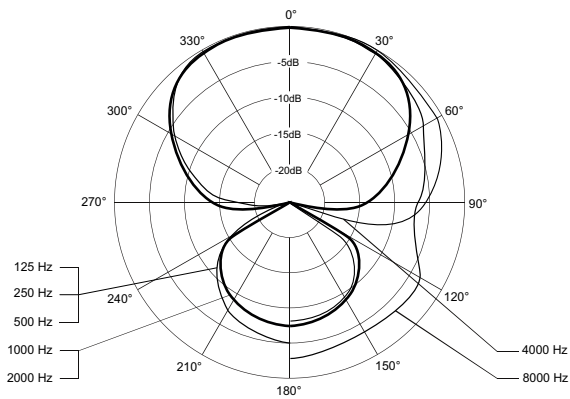
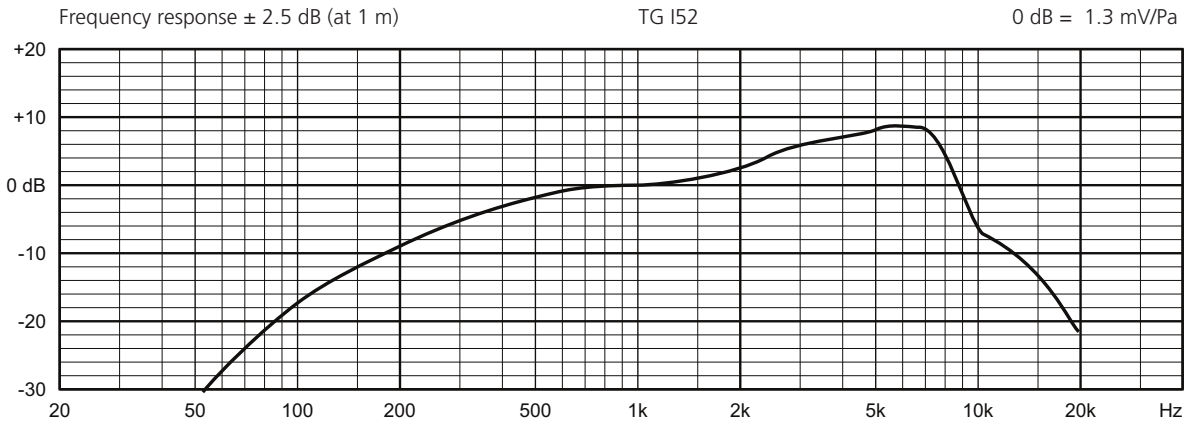
OPTIONAL ACCESSORIES

BMC 05 FM Standard microphone cable
XLR-XLR, length 5 m Order # 434.78
BMC 10 FM Standard microphone cable
XLR-XLR, length 10 m Order # 434.795
WS 97 Wind shield, black. Order # 465.313

TG I52

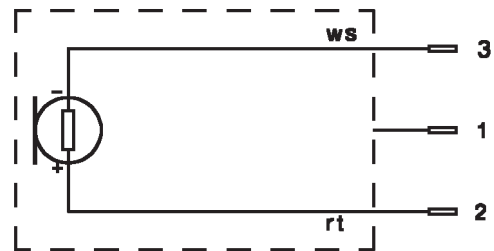
FREQUENCY RESPONSE & POLAR PATTERN

This polar pattern and frequency response curve (± 2.5 dB) correspond to a typical production sample for this microphone.



WIRING DIAGRAM

Polarity: Positive pressure produces positive voltage on red lead (pin 2).



ws = white
rt = red