

# MCS 223

Chairman Microphone Unit

Order # 486.051

## FEATURES

- Fixed gooseneck microphone with LED ring
- Microphone button with LED
- Priority button for temporary interruption, e.g. for announcements
- Clear button to cancel all microphones turned on
- Buttons to set the maximum number of open delegate microphones = NOM limit (Number of Open Microphones)
- Buttons to set the volume
- "Voice", "Free" and "Requ" buttons to select the operating mode and activating/deactivating the programming mode
- Display to indicate limit and timer (speech time limit)
- Adjustable speech time limit with acoustic warning signal
- Integrated loudspeaker, voice-equalised
- Headphone socket, mini jack (3.5 mm)
- Integrated limiter to compensate variations in speaking distance
- Button or voice controlled activation of the microphone
- Single-cable connection via Renk connectors in any sequence
- Ergonomic design
- Housing with non-slip rubber pads



## DESCRIPTION

The chairman of a meeting can control the MCS 20 conference system with the MCS 223 chairman microphone unit. Compared to the MCS 221 delegate microphone unit the chairman unit provides numerous, programmable control functions. The chairman can select the operating mode, the activation mode, the volume and the timer (speech time). For each operating mode, the chairman can select a separate NOM limit. Furthermore, the priority and clear buttons provide special rights.

The chairman can select the following operating modes:

- Requ = Request to speak:  
Delegates request to speak – chairman releases
- Free = Activate freely:  
Delegates directly turn their microphone on/off
- Voice = Voice-controlled activation
- FiFo (Requ + Free button) = First-in first-out operation:  
The activated microphone is turned off, when another microphone is turned on.

The audio is transmitted clearly and precisely in an optimal quality via the microphone and a loudspeaker integrated in the microphone unit.

The microphone is turned on voice-controlled or via the microphone button.

The microphone unit is connected in a daisy chain.

A headphone can be connected to the jack socket on the rear.

## SUPPLIED ACCESSORIES

CA 1802 Connecting cable,  
approx. 2.5 m long . . . . . Order # 486.345

## TECHNICAL SPECIFICATIONS

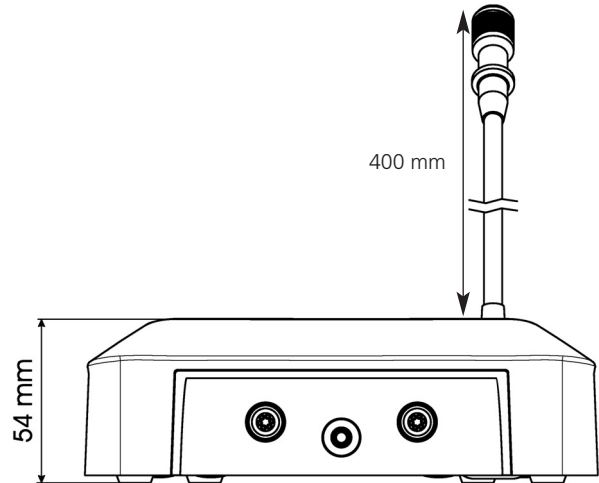
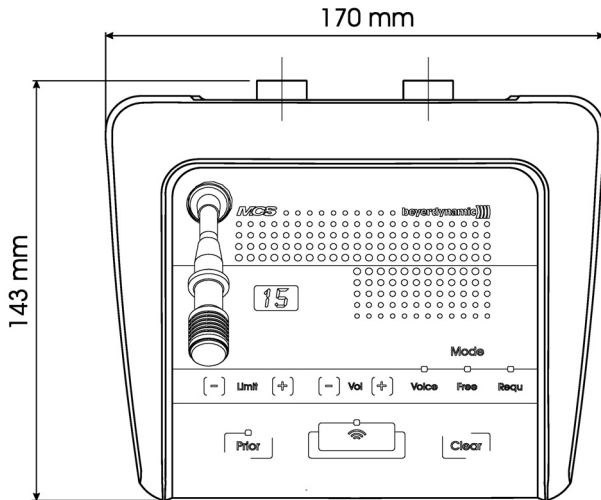
Current consumption  
with microphone turned on . . . . . 123 mA  
reproduction  
without audio signal. . . . . 81 mA  
reproduction  
with audio signal . . . . . approx. 95 mA  
Loudspeaker. . . . . wide-band, voice-equalised  
Ambient temperature. . . . . 0 °C to +40 °C  
(at a humidity of 90%)  
Gooseneck length . . . . . 400 mm  
Dimensions without gooseneck  
(W x H x D). . . . . 170 x 54 x 143 mm  
Weight. . . . . 1080 g

## OPTIONAL ACCESSORIES

CA 1802 Connecting cable,  
approx. 2.5 m long . . . . . Order # 486.345  
CA 1805 Connecting cable, 5 m long. . . . . Order # 486.353  
CA 1810 Connecting cable, 10 m long. . . . . Order # 486.361  
CA 1820 Connecting cable, 20 m long. . . . . Order # 486.388  
CA 1800 Connecting cable, sold by metre  
without connector . . . . . Order # 486.396  
CA 1813 T-adaptor. . . . . Order # 486.612  
CA 1835 Connector, 8-pin Renk. . . . . Order # 486.639

# MCS 223

## DIMENSIONS



## ARCHITECT'S SPECIFICATIONS

The chairman microphone unit shall provide a fixed gooseneck microphone with LED ring. The voice-equalised loudspeaker shall provide optimal intelligibility of speech. The microphone unit shall feature control and additional functions. The programming mode shall provide 21 special functions to be programmed. The microphone unit shall provide a central volume control of the conference system and 4 operating modes including selection of the maximum number of open microphones (NOM limit): Voice control, free activation, Request-to-speak and first-in first-out operation. The speech time limit shall feature an acoustic warning signal. The threshold in the voice mode shall be adjustable. One priority and clear button shall be provided. The microphone shall be activated voice-controlled or via buttons. The cables shall be connected in a bus system to Renk sockets. The headphone socket shall be a mini jack socket (3.5 mm). A limiter shall be integrated. The microphone unit shall be powered by the MCS 20 power supply unit via bus system. The dimensions without gooseneck microphone shall be (W x H x D) 170 x 54 x 143 mm. The weight shall be 1080 g.

Manufacturer beyerdynamic  
Type MCS 223