

DT 234 PRO

Headset with Condenser Microphone

Order # 459.364



FEATURES

- Closed headphone
- Cardioid condenser microphone (back electret)
- Noise-cancelling
- High-quality speech reproduction

APPLICATIONS

The DT 234 PRO headset is ideal for all kinds of multimedia applications. The noise-cancelling cardioid microphone allows high-quality speech reproduction. The headset fits to most of the available PC sound cards and is equipped with microphone and headphone cables with mini jack plugs (3.5 mm).

For applications in the broadcasting and intercom area the headset will be available with the corresponding plugs upon request.

OPTIONAL ACCESSORY

WS 20 sw Wind shield, black Order # 439.975

SPARE PARTS

EDT 231 V Ear pads, velours,
black, circumaural Order # 954.249

TECHNICAL SPECIFICATIONS

Headphone

Transducer type	Dynamic
Operating principle	Closed
Sound coupling to ear	Supraaural
Nominal impedance	32 ohms
Nominal SPL	95 dB (1 mW, 500 Hz)
Frequency response	20 - 18,000 Hz
T.H.D.	< 0.2%
Nominal headband pressure	2 N
Weight (without cable)	155 g
Cable length	2.5 m
Connection	Mini stereo jack plug (3.5 mm)

Microphone

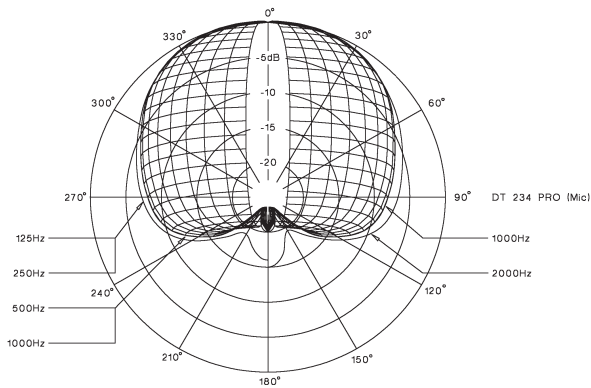
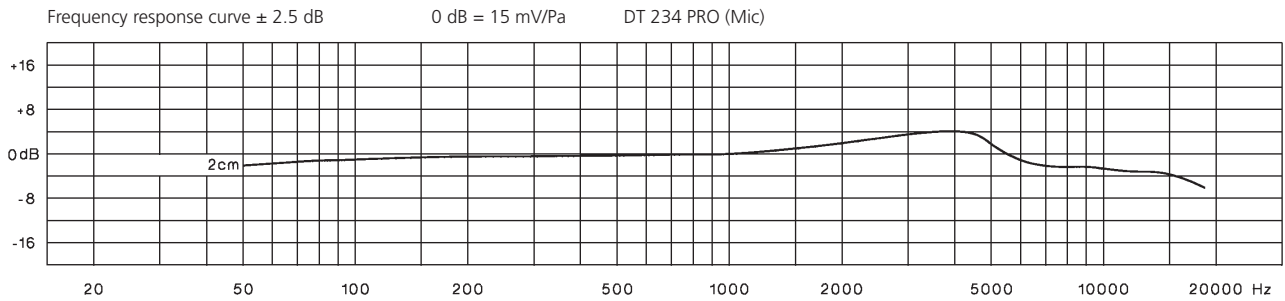
Transducer type	Condenser (back electret)
Operating principle	Pressure gradient
Polar pattern	Cardioid
Power supply	AB-powering
Supply voltage	1.5 - 9 V
Current consumption	< 0.5 mA
Nominal impedance	approx. 1.5 k Ω
Open circuit voltage at f = 1 kHz	15 mV/Pa
Frequency response	50 - 18,000 Hz
T.H.D.	0.2% at f = 1 kHz
Max. SPL	125 dB
Microphone output	unbalanced
Dimensions:	
Length microphone boom	approx. 150 mm
Capsule diameter	12.5 mm
Cable and connection	Mini stereo jack plug (3.5 mm)
	Ring and top: AF, shaft: ground

(all specifications acc. to EN 60 268-7)

DT 234 PRO

FREQUENCY RESPONSE & POLAR PATTERN

This frequency response curve (measuring tolerance ± 2.5 dB) and polar pattern correspond to a typical production sample for this microphone.



WIRING DIAGRAM

DT 234 PRO

